

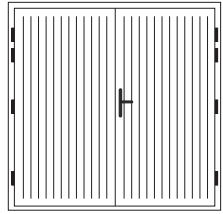
Ordering Information

Style

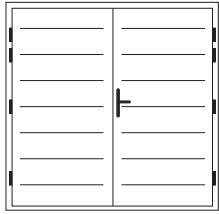
Black handles and hinges

Quantity

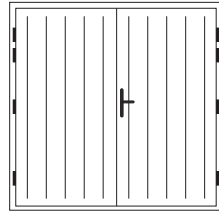
Colour



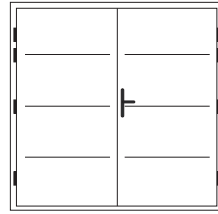
Vertical Boarded



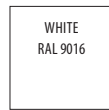
Linear M Horizontal



Contemporary Vertical



Linear L Horizontal



WHITE
RAL 9016



BLACK
RAL 9005



ANTHRACITE
RAL 7016



GOOSEWING
GREY
RAL 080 70 05



GOLDEN OAK*
Wood Effect

*NOTE: Golden Oak is only available for Flush door designs. The realistic wood effect finish obscures the design elements on the face of the door.

Size Sizes or Made-To-Measure (refer to fixing notes right)

Nominal:	Over Frame:
6'8.5" x 6'3"	(2146 x 1971)
7'0" x 6'4"	(2234 x 1991)
7'0" x 6'6"	(2234 x 2041)
7'0" x 7'0"	(2234 x 2196)
7'2.5" x 6'3"	(2298 x 1971)
7'2.5" x 6'6"	(2300 x 2041)

Overall frame width (FW)

Overall frame height (FH)

Min Overframe Width = 1200mm Max Overframe Width = 2300mm
Min Overframe Height = 1785mm Max Overframe Height = 2400mm

Split

50:50

Leading Leaf*

L R

*When viewed from outside the garage. Right leading is standard.

Mounting

Between brickwork

Behind brickwork*

*A back fixing kit will be required.

Back fixing kit

Options

3-star internal thumb cylinder upgrade

Notes for Installation

IMPORTANT!

DuraPass double is a precision designed and manufactured product that requires the same attention to detail at installation.

The door is manufactured to a tolerance of ± 2 mm in width or height.

It must be installed to a tolerance of ± 1 mm per metre or less, to ensure the doors operate and functions correctly.

We stipulate the use of a laser level when installing the door frame to ensure the required tolerances are achieved. Failure to do so will impact performance.



Heavy Duty Rivet Gun for Stainless Steel Rivets

The door leaves and frame are supplied separately for ease of transportation and manoeuvring on site. Each door leaf requires riveting into position through the hinges. The leaves and frame are machine pre-punched to facilitate this. Stainless steel rivets are supplied and it is recommended that a heavy duty rivet gun is used to complete this part of the installation.



Laser Level

Please ensure your installation environment enables the frame to be installed level and square in all planes and use a laser level to confirm this.

Notes:

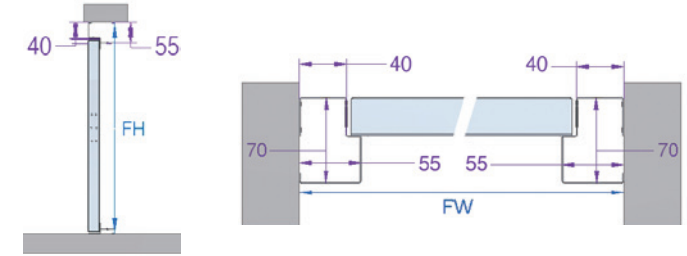
Garage Door Systems uninsulated Double Garage Door Order Form



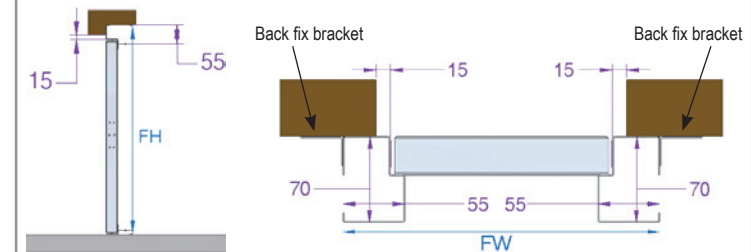
Customer:

P.O. / Order Ref:

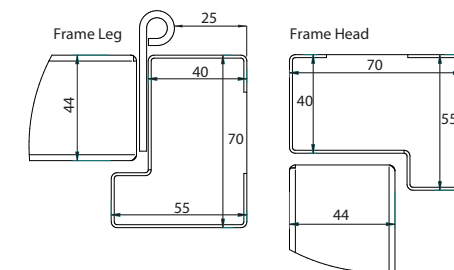
Between Brickwork Fixing Figure 1



Behind Brickwork Fixing Figure 2



Frame Detail



When fitting behind the reveal allowance must be made for the hinges on the frame. Ensure that there is less than 25mm overlap to allow the hinges to clear the opening - see dimensional detail to the left.

EMAIL FORM

SAVE FORM

RESET FORM

SIZE AVAILABILITY

Double Leaf Uninsulated Doors (open out only) Standard sizes: Also available made to measure, as shown in the table below.

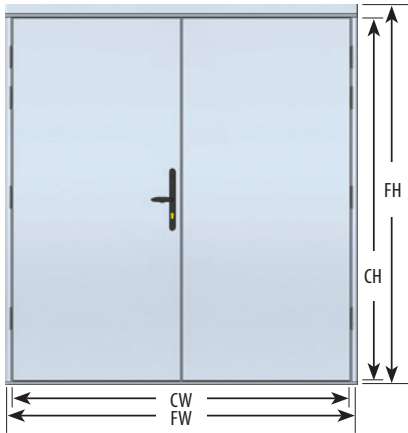
Nominal	Over Frame
6'8.5" x 6'3"	2146 x 1971
7'0" x 6'4"	2234 x 1991
7'0" x 6'6"	2234 x 2041
7'0" x 7'0"	2234 x 2196
7'2.5" x 6'3"	2298 x 1971
7'2.5" x 6'6"	2300 x 2041

Doors are available in made to measure sizes:

Double Leaf Doors (open out only)

Min Overframe Width = 1200mm Max Overframe Width = 2300mm
 Min Overframe Height = 1785mm Max Overframe Height = 2400mm

DIMENSIONS & ORDERING



IMPORTANT!

DuraPass double is a precision designed and manufactured product that requires the same attention to detail at installation.

The door is manufactured to a tolerance of ± 2mm in width or height.

It must be installed to a tolerance of ± 1mm per metre or less, to ensure the doors operate and functions correctly.

We stipulate the use of a laser level when installing the door frame to ensure the required tolerances are achieved. Failure to do so will impact performance.

FW Frame width

CW Clear passage width = FW - 170mm (Excludes handle protrusion ~70mm)

FH Frame height

CH Clear passage height = FH - 80mm For standard open out ramped threshold

To order specify:

Ordering size: No fitting clearance allowed. Garage Door Systems recommends allowing 10mm in width and 10mm in height when fitting between brickwork. Example: For a 2000mm x 2100mm structural opening order 1990mm x 2090mm. See Garage Door Systems Survey/Order form for full details.

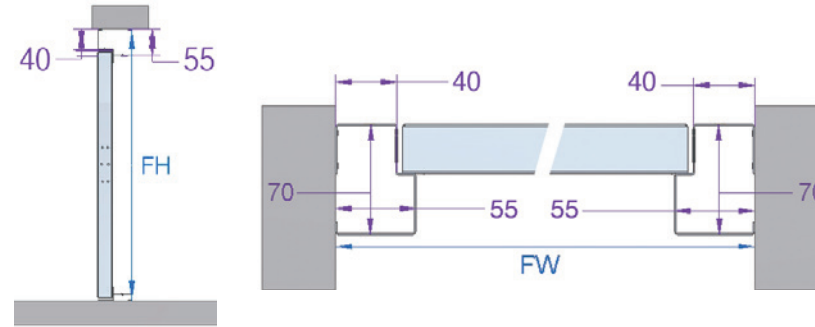
Leading Leaf: Double Doors: Right hand leading (standard) or Left hand leading as viewed from the outside.

Opening: Outward only - double doors, as viewed from the outside.

Threshold: Standard threshold for double leaf doors as details shown right.

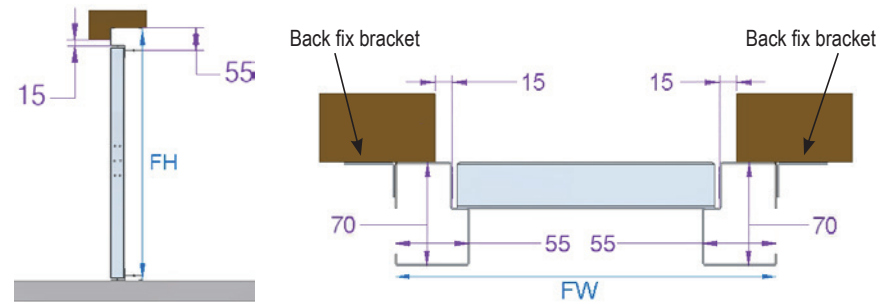
If your door is supplied with protective film it must not be exposed to direct sunlight as this can lead to it baking on to the door. If storing doors outside please pay particular attention to this consequence. Protective film must be removed immediately following installation.

BETWEEN BRICKWORK FIXING FIGURE 1

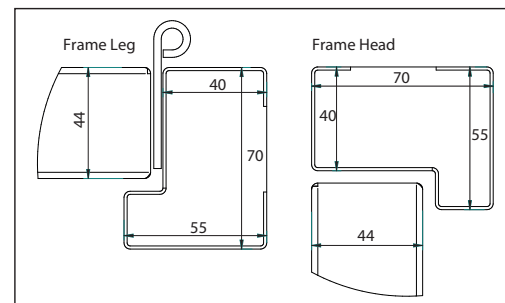


IMPORTANT! THE FRAME AND THRESHOLD MUST BE FITTED LEVEL, SQUARE AND FREE FROM DISTORTION OR TWISTS IN ALL PLANES

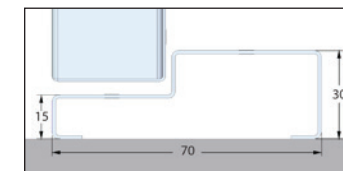
BEHIND BRICKWORK FIXING FIGURE 2



FRAME DETAIL



THRESHOLD UNINSULATED DOUBLE DOORS



Standard 30mm open out rebated threshold

The threshold must be fitted level - use packers if necessary to ensure positioning is level and square with the frame. Failure to do so will impact performance. The threshold is not suitable for vehicular and heavy duty access. This will distort the frame and rubber seal element.